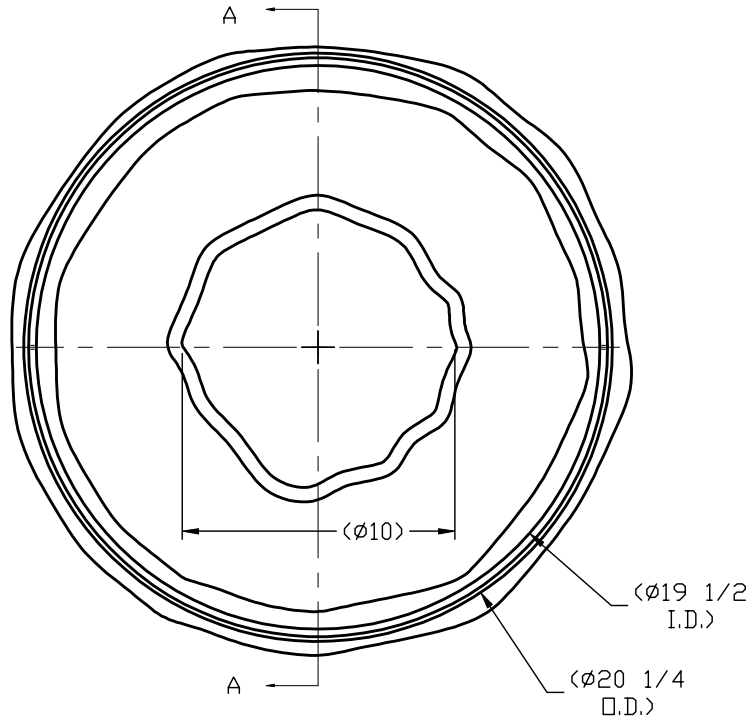
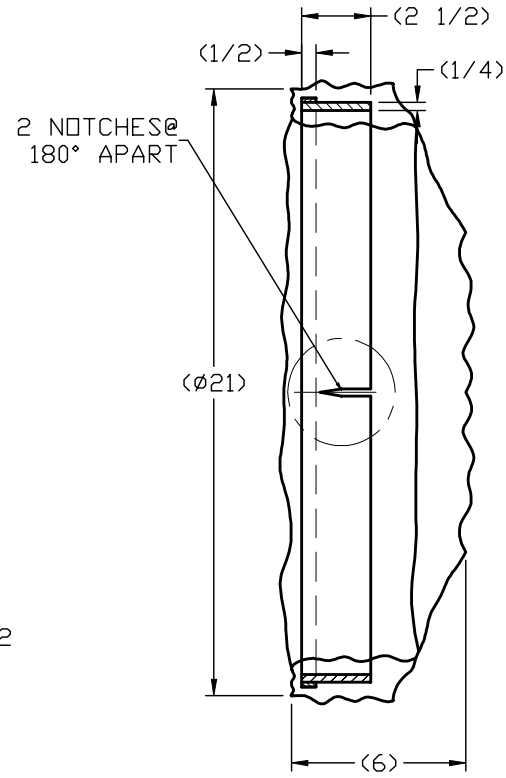


SALES DRAWING



TOP VIEW



SECTION A-A

SALES DRAWING

NOTE:
MATERIAL IS PB150, NONWOVEN, SPUNBOND
POINTBOND, 13 MILS THICK WITH MICRON
RATING 20.

C	VD	01-22-10	CHANGED MATERIAL SPECIFICATION.
B	CHL	11-28-00	UPDATED DRAWING TO NEW STANDARDS
A	SAB	10-6-97	ADDED NOTCHES
REV	BY	DATE	DESCRIPTION

UNLESS OTHERWISE SPECIFIED
DIMENSIONAL TOLERANCES

FRACTIONAL	$\pm 1/16$
X.XX	± 0.03
X.XXX	± 0.015
ANGULAR	$\pm 1^\circ$

THIS DRAWING IS THE PROPERTY OF SALCO PRODUCTS INC.
CONTAINING PROPRIETARY INFORMATION AND MUST
NOT BE COPIED, REPRODUCED, OR USED
WITHOUT THE WRITTEN PERMISSION OF SALCO PRODUCTS INC.

THIRD ANGLE PROJECTION

SALCO PRODUCTS, INC.

2D

DRAWN BY: MRC CHKD BY: SAB SCALE: 1:2 APPROVAL DATE: 9-9-97

MATERIAL: CARDBOARD/ SEE NOTE

PART NAME: STAINLESS HATCH RING PROTECTOR

PROJECT #: 970903 PROTOTYPE AND DATE: MRC 9-9-97 APPROVED FOR PRODUCTION: SAB

DRAWING #: D8658 PART #: SHRP001